



SENECT Fish Feeder EF

Automatic fish feeder

Short facts:

- For small and medium size pelleted fish feed
- Capacity for app. 5 kg feed
- Including wall mount holder
- Cost efficient automatic feeder

The solution for automatized small and medium size pellet fish feeding.

The SENECT Fish Feeder EF is designed for automatized feeding of pelleted fish feed in hatcheries or for the on-growing.

With its rotor dispenser, the feed can be portioned in small amounts so that many feedings per day are possible.

The plug-and-play installation makes the installation with the SENECT control units easy. With its included holder, the feeder can be mounted thoroughly, e.g. at a wall beside the fish tank or directly on fish tanks.

Technical information	
Dimensions	app. Ø 280 x 380 mm
Material	PVC, PP
Feed size	2 to 9 mm
Volume	app. 7 l (~ 5 kg fish feed)
Power consumption	<< 10 W (no load) @ 12 V DC
Cable length	5 m
Compatibility	with all SENECT controller ¹
Plug	SENECT Actuator plug
Ingress protection	IP44

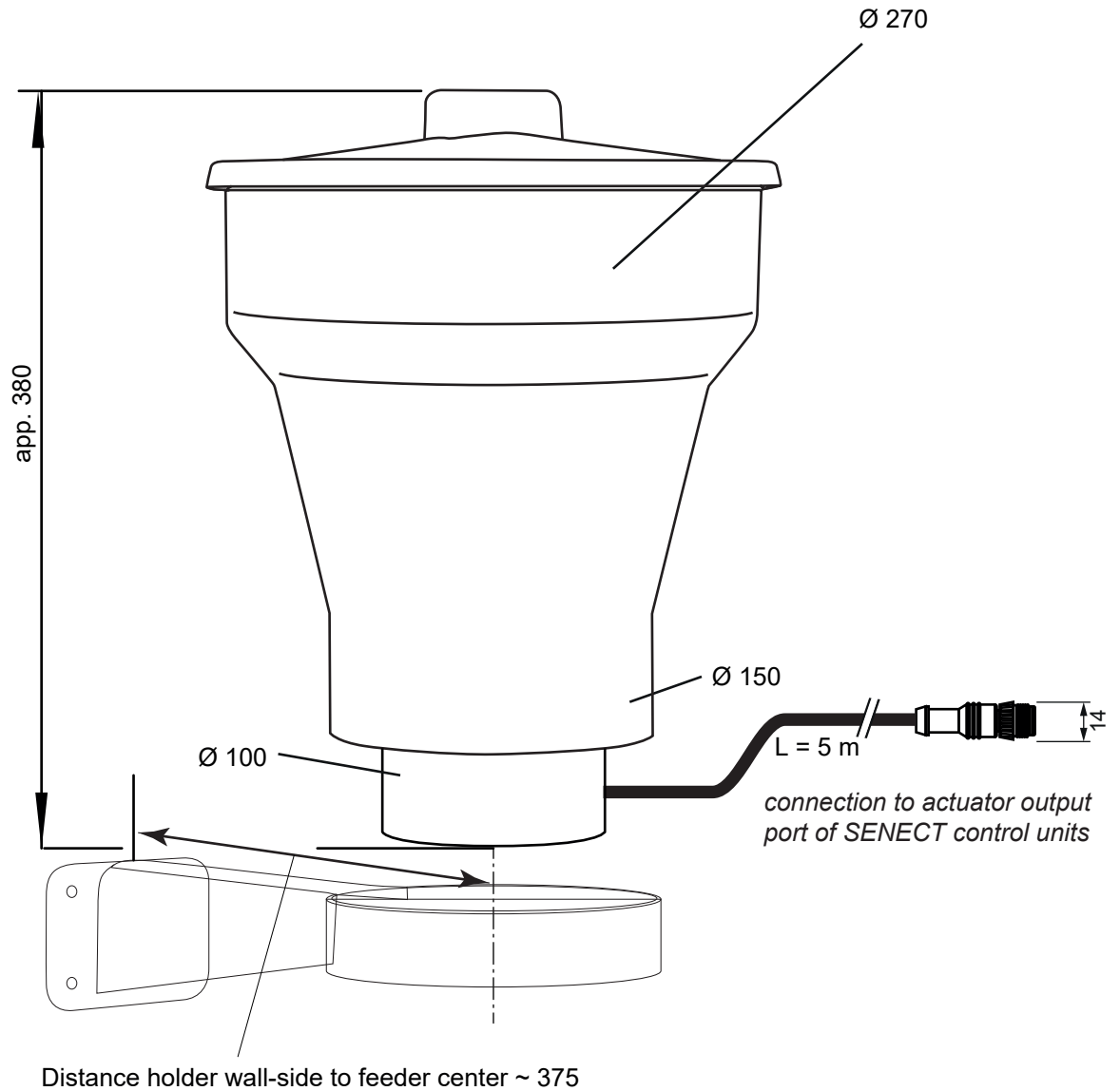
Intelligent control of feeder with the SENECT control units

All SENECT control units exhibit a powerful and extensive menu to make the feeding as efficient as possible. The calibration of the feeder - matched to the selected fish feed - allows to feed precise defined amounts of feed.

Additionally, the feeding can be related to water quality parameters². For example the feed amount can be corrected in relation to the temperature (according to the feed manufacturer recommendations of the feed spec sheets). Feeding can also be stopped in case of unfavourable oxygen conditions. In case of an connected aeration or oxygenation, it can be switched on prior feeding to ensure optimal oxygen conditions to facilitate efficient digestion.

¹except MONITOR|4, ² respective sensor required, e.g. oxygen sensor O2S, temperature sensor TMP

FEF-05-SC EN Version: 1.0 Status: released, subject to alterations



Dimensions in mm (not to scale)

Art.-No.	Item	Scope of delivery
3301	SENECT Fish Feeder 5L	Feeder incl. cable, holder, manual, please note: control unit not included